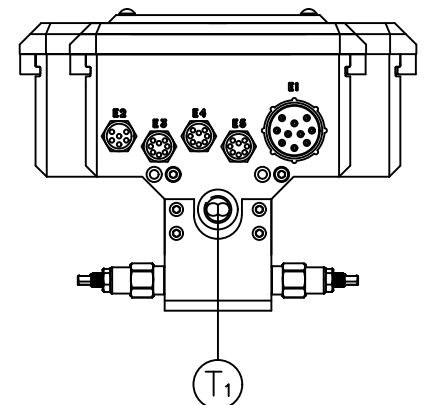
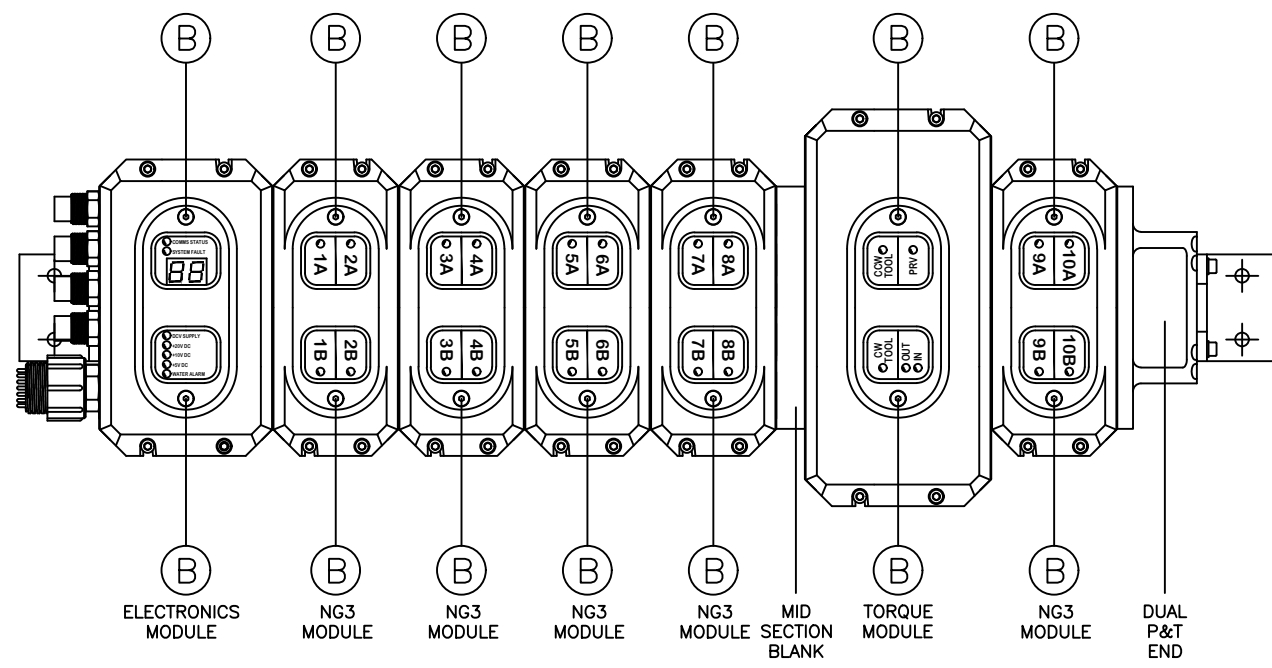


- KEY:
 B - BLEED SCREWS
 C - COMPENSATION PORTS 1/4" BSPP
 P₁ - PRESSURE PORT 3/8" BSPP
 P₂ - PRESSURE PORT 3/8" BSPP
 S₁ - SERVICE PORT 1/4" BSPP
 S₂ - SERVICE PORT 3/8" BSPP
 T₁ - TANK PORT 3/8" BSPP
 T₂ - TANK PORT 3/8" BSPP



NOTE: CONNECTORS SHOWN ARE SUBCONN (STANDARD FIT)

